

# Egg Holder

1. Find a clear plastic bottle that is at least 12" in circumference. A 2 liter mineral water or soda bottle will work well. Make sure it is clean. Cut off the top and bottom sections of the bottle to leave a cylinder of plastic. Remove any labels and adhesive. Make a vertical cut in the cylinder.

2. Open the cylinder and, using a stiff ruler and craft knife, cut off a 1/2 inch wide strip in the horizontal (longer) direction. Watch out, it's springy.

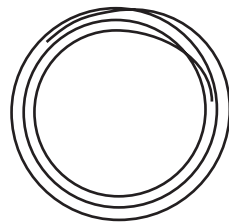
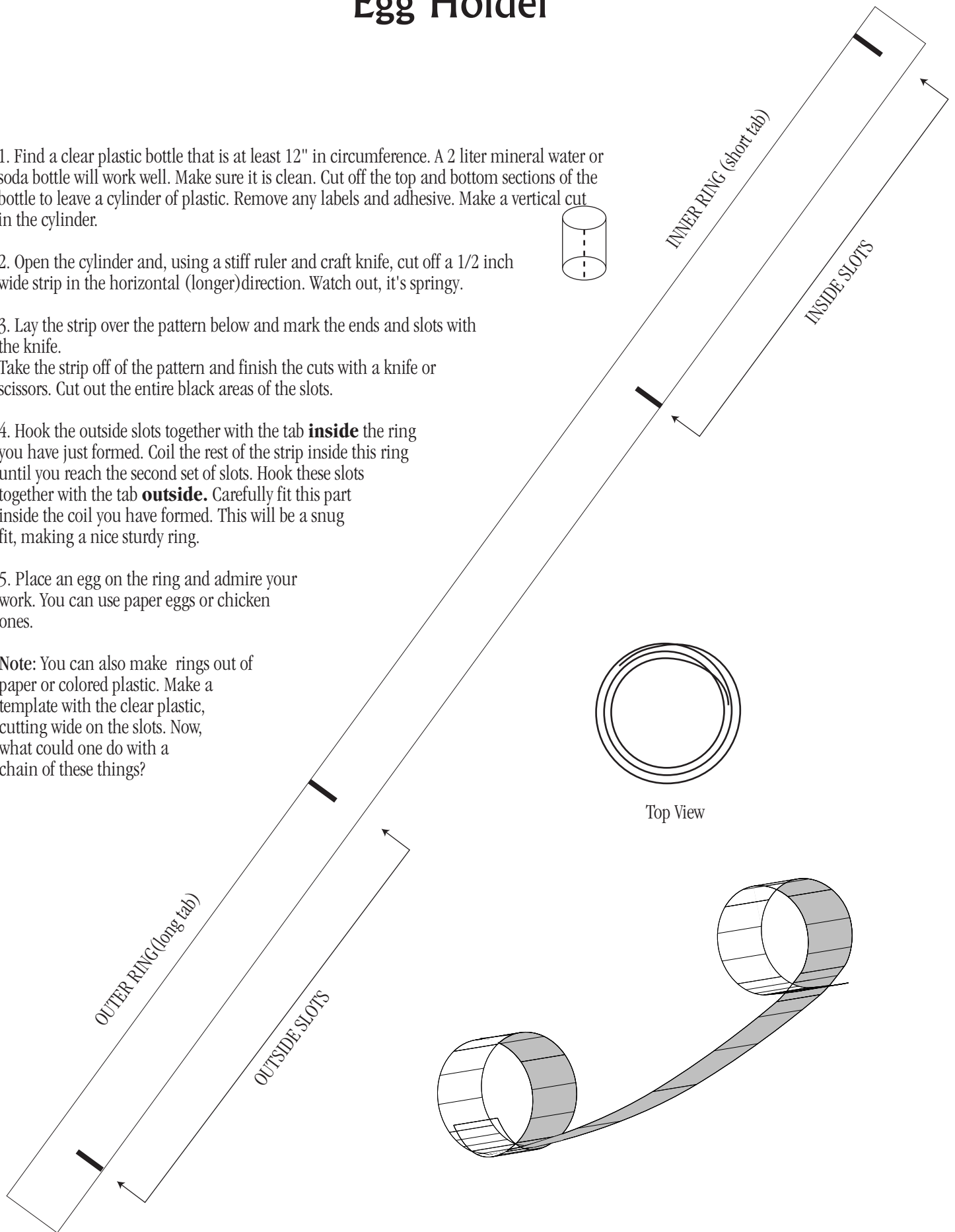
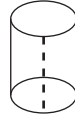
3. Lay the strip over the pattern below and mark the ends and slots with the knife.

Take the strip off of the pattern and finish the cuts with a knife or scissors. Cut out the entire black areas of the slots.

4. Hook the outside slots together with the tab **inside** the ring you have just formed. Coil the rest of the strip inside this ring until you reach the second set of slots. Hook these slots together with the tab **outside**. Carefully fit this part inside the coil you have formed. This will be a snug fit, making a nice sturdy ring.

5. Place an egg on the ring and admire your work. You can use paper eggs or chicken ones.

**Note:** You can also make rings out of paper or colored plastic. Make a template with the clear plastic, cutting wide on the slots. Now, what could one do with a chain of these things?



Top View

