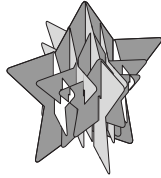


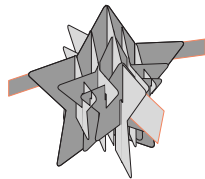
SHADOWBOX STAR

Instructions

Start with an assembled star. You can use this technique with any of the models, large or small.



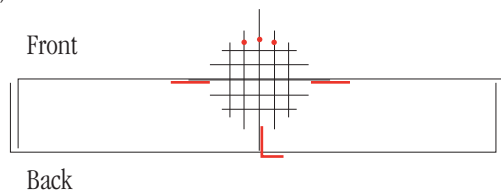
Make two little tabs about $1/4" \times 1/2"$, and glue them onto the back side of the points on the largest Star piece. Make a larger tab, about $1/2" \times 1"$, and glue this to the the other largest Star piece (perpendicular).



If you were to measure the distance from the center of the Star to the farthest point in the back you would find it to be 1". Use this distance for the depth of your shadowbox.

Print the pattern on 80 lb. cover or card stock or use the measurements on the pattern to draw it on the paper. Score on the dashed lines, cut out the square in the center and $1 \frac{3}{8}"$ from the top. Cut another piece of cover $7" \times 7.5"$ and cut a slit 1" long in the center of the paper as indicated on the pattern (page 2).

Center the Star in the hole and glue the tabs behind the hole to anchor it. You can trim off the points of the Star if you feel they are sticking out too much. The red dots indicate approximately where they were trimmed for this project.



Slide the rear tab through the slot. Glue the sides of the box as indicated above if you want to the box to collapse in both directions. You can also wrap the front of the box around the sides, but the box will only close flat in one direction.

Glue the tab on the back of the box.

Some Ideas

Make the back of the shadowbox a different color than the front. This is a case where you will probably want to make the front of the box wrap around the sides.

Make a background panel that has a pattern on it.

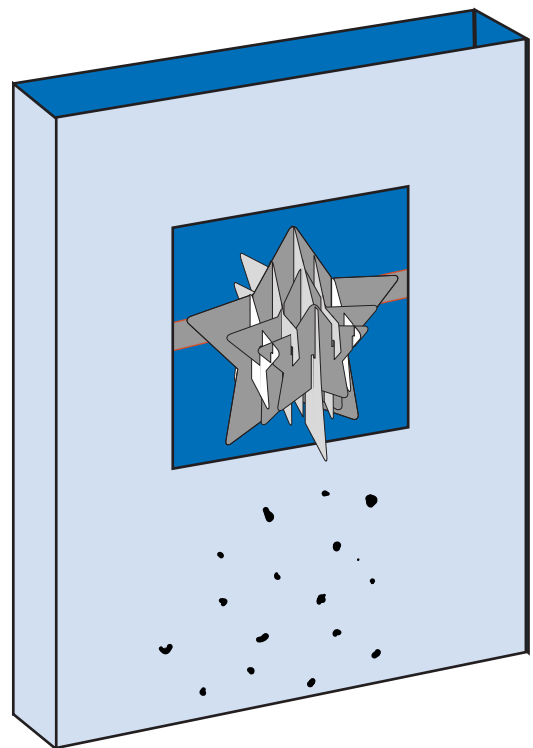
You can make the box as shallow or as deep as you like. If it is shallower, trim the back point of the star to fit. Any of the dimensions can be changed.

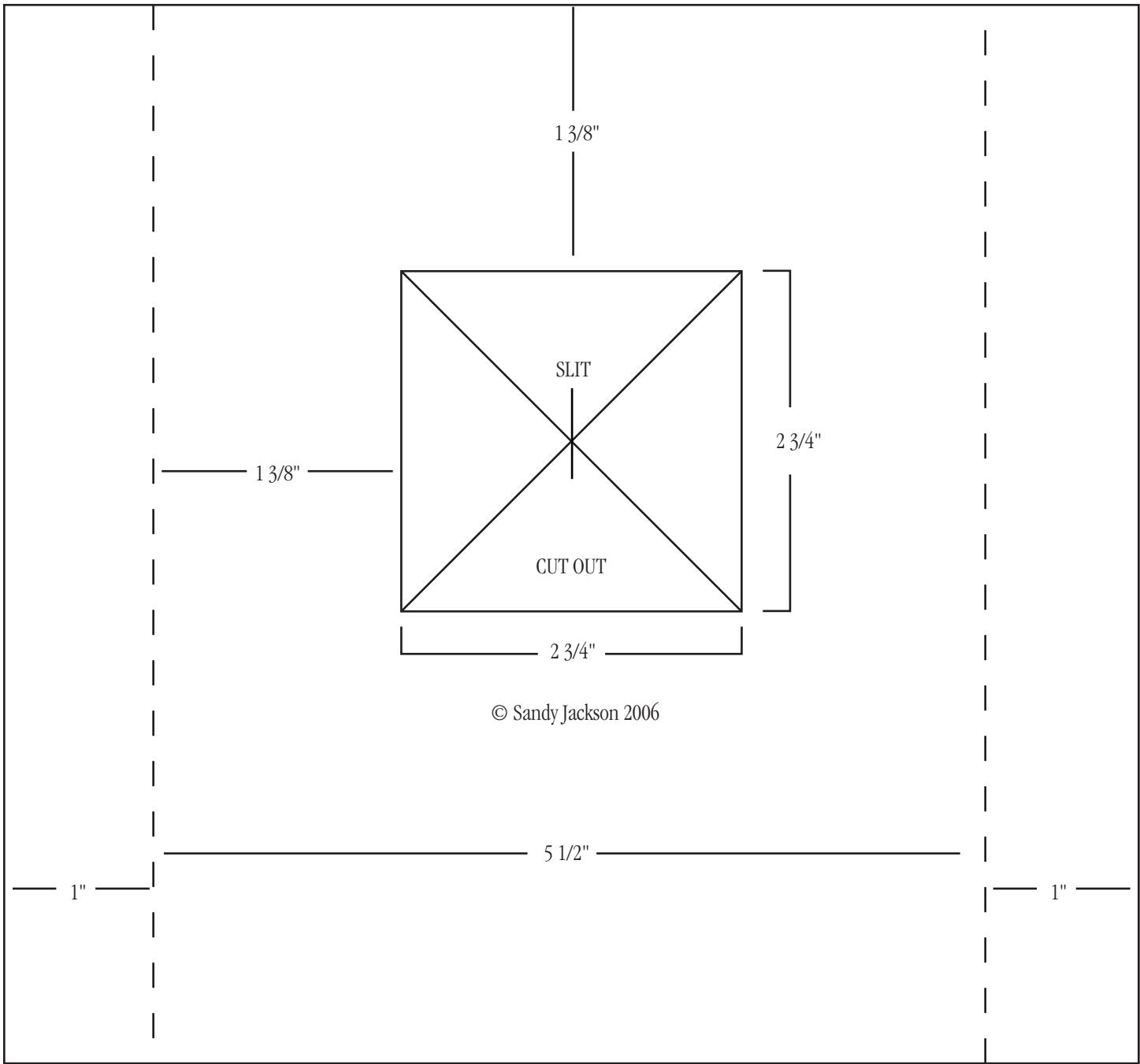
Attach a folded piece of paper to the back of the box for a card presentation. Otherwise you can cover the tab with anything you like.

You can make a shadowbox with any of the other models that will collapse.

Decorate the front of the shadowbox with a little stardust.

Cut the hole $1/8"$ wider all around, then cut the original sized hole out of another paper and glue it behind the wider hole for a nice accent border.





SCORE

Overall Size 7 1/2" wide x 7"high

SCORE